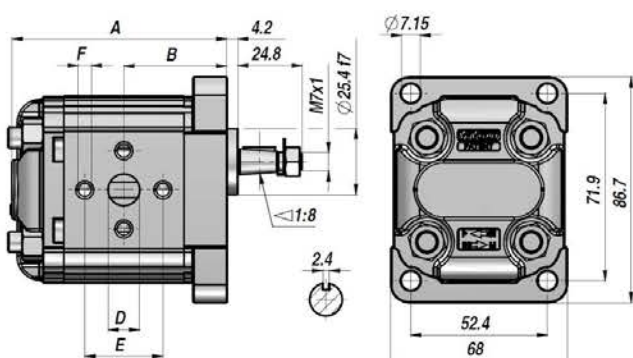


# HMS

HYDRAULIC

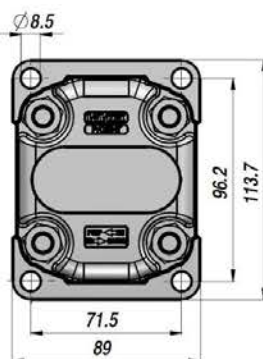
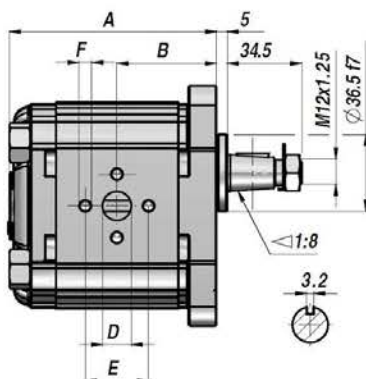


## KUGGJULSPUMP GRUPP 1

Art#	cm <sup>3</sup> /rev.	A	B	IN		OUT		Rotation Ⓢ Ⓣ
				D	E	D	E	
A010001	0,91	78,1	37,3	Ø12	30	Ø12	30	D
A010002	0,91	78,1	37,3	Ø12	30	Ø12	30	S
A010003	1,17	79,0	37,8	Ø12	30	Ø12	30	D
A010004	1,17	79,0	37,8	Ø12	30	Ø12	30	S
A010005	1,56	80,5	38,5	Ø12	30	Ø12	30	D
A010006	1,56	80,5	38,5	Ø12	30	Ø12	30	S
A010007	2,08	82,5	39,5	Ø12	30	Ø12	30	D
A010008	2,08	82,5	39,5	Ø12	30	Ø12	30	S
A010009	2,60	84,5	40,5	Ø12	30	Ø12	30	D
A010010	2,60	84,5	40,5	Ø12	30	Ø12	30	S
A010011	3,12	86,5	41,5	Ø12	30	Ø12	30	D
A010012	3,12	86,5	41,5	Ø12	30	Ø12	30	S
A010013	3,64	88,5	42,5	Ø12	30	Ø12	30	D
A010014	3,64	88,5	42,5	Ø12	30	Ø12	30	S
A010015	4,16	90,5	43,5	Ø12	30	Ø12	30	D
A010016	4,16	90,5	43,5	Ø12	30	Ø12	30	S
A010017	4,94	93,5	45,0	Ø12	30	Ø12	30	D
A010018	4,94	93,5	45,0	Ø12	30	Ø12	30	S
A010019	5,85	97,0	46,8	Ø12	30	Ø12	30	D
A010020	5,85	97,0	46,8	Ø12	30	Ø12	30	S
A010021	6,50	98,5	48,0	Ø12	30	Ø12	30	D
A010022	6,50	98,5	48,0	Ø12	30	Ø12	30	S
A010023	7,54	103,5	50,0	Ø12	30	Ø12	30	D
A010024	7,54	103,5	50,0	Ø12	30	Ø12	30	S
A010025	9,88	112,5	54,5	Ø12	30	Ø12	30	D
A010026	9,88	112,5	54,5	Ø12	30	Ø12	30	S

# HMS

HYDRAULIC

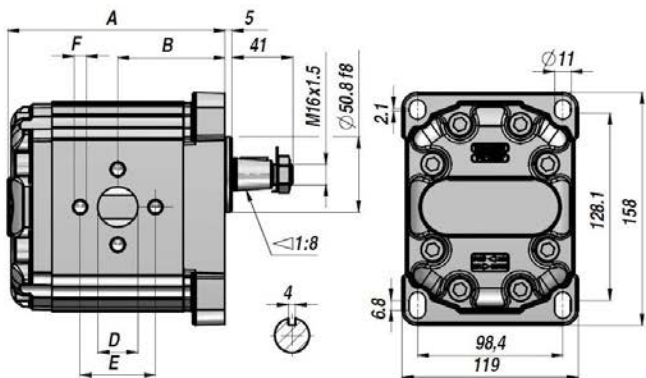


## KUGGJULSPUMP GRUPP 2

Art#	cm <sup>3</sup> /rev.	A	B	IN		OUT		Rotation ⌀ S ⌀ D
				D	E	D	E	
A010200	4	86,7	41,3	Ø15x30,2xM6	Ø15x30,2xM6	Ø15x30,2xM6	Ø15x30,2xM6	D
A010201	4	86,7	41,3	Ø15x30,2xM6	Ø15x30,2xM6	Ø15x30,2xM6	Ø15x30,2xM6	S
A010202	5,5	89,2	42,5	Ø15x30,2xM6	Ø15x30,2xM6	Ø15x30,2xM6	Ø15x30,2xM6	D
A010203	5,5	89,2	42,5	Ø15x30,2xM6	Ø15x30,2xM6	Ø15x30,2xM6	Ø15x30,2xM6	S
A010204	8	93,3	44,6	Ø15x30,2xM6	Ø15x30,2xM6	Ø15x30,2xM6	Ø15x30,2xM6	D
A010205	8	93,3	44,6	Ø15x30,2xM6	Ø15x30,2xM6	Ø15x30,2xM6	Ø15x30,2xM6	S
A010206	11	98,3	48,5	Ø15x30,2xM6	Ø20x39,7xM8	Ø20x39,7xM8	Ø20x39,7xM8	D
A010207	11	98,3	48,5	Ø15x30,2xM6	Ø20x39,7xM8	Ø20x39,7xM8	Ø20x39,7xM8	S
A010208	14	103,3	49,0	Ø15x30,2xM6	Ø20x39,7xM8	Ø20x39,7xM8	Ø20x39,7xM8	D
A010209	14	103,3	49,0	Ø15x30,2xM6	Ø20x39,7xM8	Ø20x39,7xM8	Ø20x39,7xM8	S
A010210	16	106,3	49,0	Ø15x30,2xM6	Ø20x39,7xM8	Ø20x39,7xM8	Ø20x39,7xM8	D
A010211	16	106,3	49,0	Ø15x30,2xM6	Ø20x39,7xM8	Ø20x39,7xM8	Ø20x39,7xM8	S
A010212	19	111	49,0	Ø15x30,2xM6	Ø20x39,7xM8	Ø20x39,7xM8	Ø20x39,7xM8	D
A010213	19	111	49,0	Ø15x30,2xM6	Ø20x39,7xM8	Ø20x39,7xM8	Ø20x39,7xM8	S
A010214	22,5	117	56,5	Ø15x30,2xM6	Ø20x39,7xM8	Ø20x39,7xM8	Ø20x39,7xM8	D
A010215	22,5	117	56,5	Ø15x30,2xM6	Ø20x39,7xM8	Ø20x39,7xM8	Ø20x39,7xM8	S
A010216	26	123	60,0	Ø15x30,2xM6	Ø20x39,7xM8	Ø20x39,7xM8	Ø20x39,7xM8	D
A010217	26	123	60,0	Ø15x30,2xM6	Ø20x39,7xM8	Ø20x39,7xM8	Ø20x39,7xM8	S
A010218	11	98,3	48,5	Ø15x30,9xM8	Ø15x30,2xM6	Ø15x30,2xM6	Ø15x30,2xM6	D
A010219	11	98,3	48,5	Ø15x30,9xM8	Ø15x30,2xM6	Ø15x30,2xM6	Ø15x30,2xM6	S
A010220	14	103,3	49,0	Ø15x30,9xM8	Ø15x30,2xM6	Ø15x30,2xM6	Ø15x30,2xM6	D
A010221	14	103,3	49,0	Ø15x30,9xM8	Ø15x30,2xM6	Ø15x30,2xM6	Ø15x30,2xM6	S
A010222	14	103,3	49,0	Ø20x39,7xM8	Ø20x39,7xM8	Ø20x39,7xM8	Ø20x39,7xM8	D
A010223	14	103,3	49,0	Ø20x39,7xM8	Ø20x39,7xM8	Ø20x39,7xM8	Ø20x39,7xM8	S
A010224	16	106,3	49,0	Ø15x30,9xM8	Ø20x39,7xM8	Ø20x39,7xM8	Ø20x39,7xM8	D
A010225	16	106,3	49,0	Ø15x30,9xM8	Ø20x39,7xM8	Ø20x39,7xM8	Ø20x39,7xM8	S

# HMS

HYDRAULIC



## KUGGJULSPUMP GRUPP 3

Art#	cm <sup>3</sup> /rev.	A	B	IN		OUT		Rotation Ⓢ Ⓣ
				D	E	D	E	
A010600	22,5	128,7	61,0	26x50,8xM10	18x39,7xM8	D		
A010601	22,5	128,7	61,0	26x50,8xM10	18x39,7xM8	S		
A010602	28,0	133,7	63,0	26x50,8xM10	18x39,7xM8	D		
A010603	28,0	133,7	63,0	26x50,8xM10	18x39,7xM8	S		
A010604	32,0	137,2	64,5	26x50,8xM10	18x39,7xM8	D		
A010605	32,0	137,2	64,5	26x50,8xM10	18x39,7xM8	S		
A010606	38,0	142,7	66,5	26x50,8xM10	18x39,7xM8	D		
A010607	38,0	142,7	66,5	26x50,8xM10	18x39,7xM8	S		
A010608	45,0	149,2	69,5	26x50,8xM10	18x39,7xM8	D		
A010609	45,0	149,2	69,5	26x50,8xM10	18x39,7xM8	S		
A010610	56,0	160,2	77,2	26x50,8xM10	18x39,7xM8	D		
A010611	56,0	160,2	77,2	26x50,8xM10	18x39,7xM8	S		
A010612	63,0	172,0	81,3	18x39,7xM8	18x39,7xM8	D		
A010613	63,0	172,0	81,3	18x39,7xM8	18x39,7xM8	S		